



# Allen Steam Turbines

Excellent Engineering Solutions



## Now Providing New Turbine Solutions

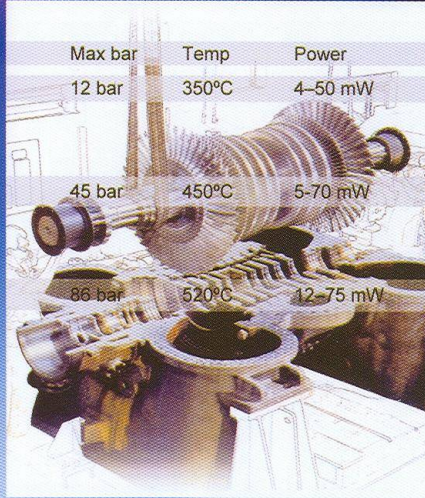
### Machine Range

L Series – Low Pressure Turbines  
(Condensing Type)

M Series – Medium Pressure Turbines  
(Back Pressure and Condensing)

H Series – High Pressure Turbines  
(Back Pressure and Condensing)

This range is complimented by a series of single stage machines to suit your requirements.



For your Steam Turbine Equipment Requirements and Enquiries please contact:

Allen Steam Turbines, Highfield Parc Highfield Road, Oakley, Beds, MK43 7TA, England.

Tel: 00 44 (0) 1234 826691 Facsimile: 00 44 (0) 1234 826649 Email: s.mann@weir.co.uk

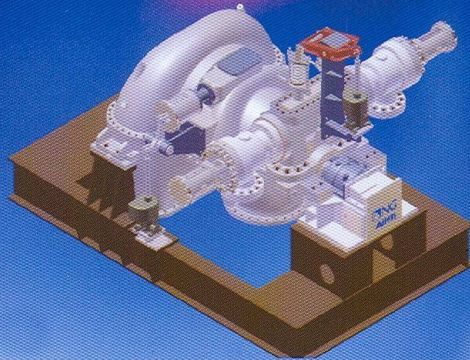


# Allen Steam Turbines

Excellent Engineering Solutions



Over 100 years of Engineering Excellence and Customer Support



## Now Providing New Turbine Solutions

Allen Steam Turbines are pleased to announce a new range of Turbines based on the Allen's designs in use at sites throughout the world coupled with our latest technological developments.

Extensive experience in the Sugar, Paper, Waste and Power Industries enables us to continually exceed our customers requirements.

With a range of turbines designed to meet your needs and long lead time spares held in our stock we aim to provide reliable and continuous performance whilst continuing to support Allen installed equipment worldwide.